

G2150B / G2160B Push Lock

Features

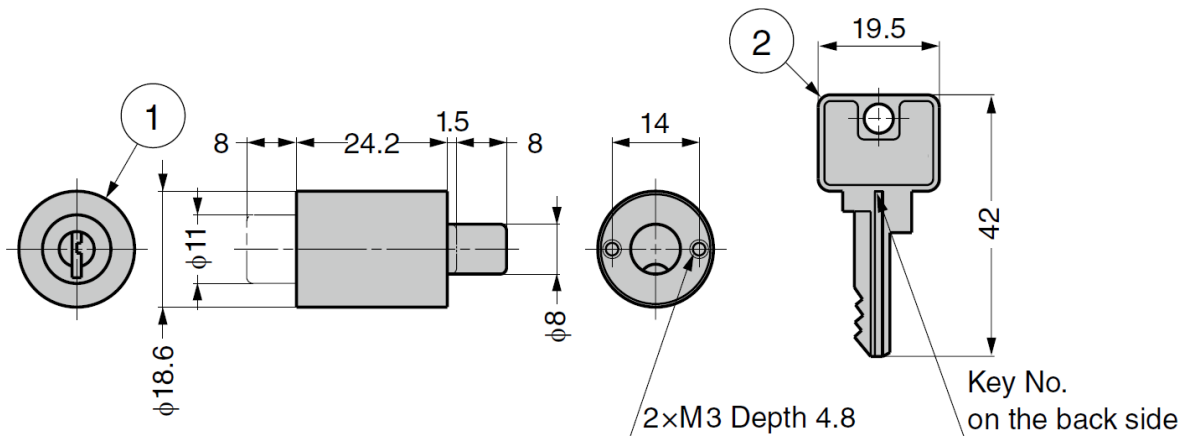
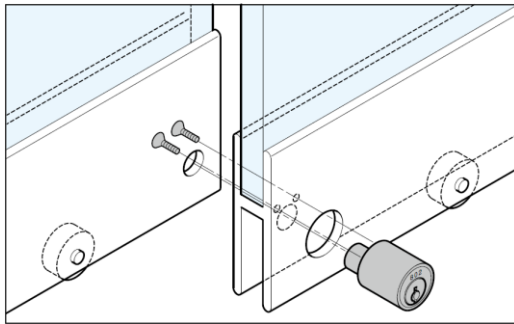
- For metal framed glass doors or sheet metal double sliding doors
- How to lock:
 - **G2150B** - push cylinder to lock
 - **G2160B** - turn key to lock and unlock
- Insert and turn key to unlock
- 24 key changes available

Parts Included

- Countersunk head screw M3×5



Installation



No.	Part Name	Material	Finish
①	Body	Zinc Alloy (ZDC)	Nickel
②	Key	Brass	

Part No.	Key Type	How to Lock	Cylinder Diameter	Frame Thickness
G2150B-B	Keyed Differently	Without Key	18.6	24
G2150B-D	Keyed Alike			
G2160B-B	Keyed Differently	With Key		
G2160B-D	Keyed Alike			